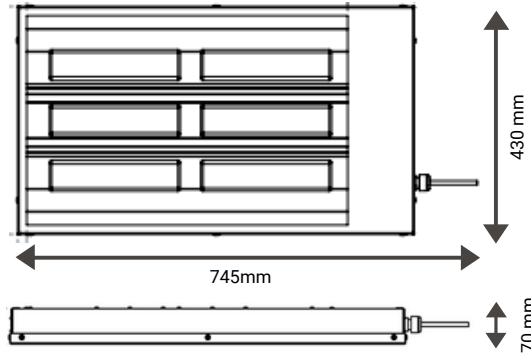


heatRAY Far Infrared Heater

Our very own UK manufactured heatRAY Far Infrared heaters are competitively priced and available from stock with a variety of outputs and options to replace your gas radiant and gas space heaters.



Technical Specifications

- ideal for Warehousing, Sports Halls, Industrial, and Car Body Shops
- Mounting heights 4-6M
- up to 20 000 hours lifespan, which means 10-15 years expected service life
- IR Wavelength 2-10 μm
- Integrates with TrayLED Lighting Systems
- PLC Dynamic Drive Controller (DCC) option available
- Ceramic elements
- Length: 745 mm - Width: 430 mm - Height: 70 mm
- Weight kg: 9 kg
- 12 months warranty

Purpose: Our highly efficient, UK manufactured heatRAY has been designed to heat the large open spaces that need it most, such as manufacturing, garage workshops, sports halls and many more!

Environment: We want to protect the environment we live in as much as possible, which is a main reason for the creation of interRAY. Not only can it be used as stand-alone unit, it can also be coupled with the the cleverly devised PLC DYNAMIC DRIVE CONTROLLER (DDC) to heat the most important areas in your building by monitoring ambient temperatures, weather conditions and, most importantly, areas of high activity to efficiently use the energy that is available in the most effective way.

InterRAY is at the forefront of a Carbon Neutral future; we have made it possible to finally heat spaces using electricity only!

Type	Wattage kW	Amps A	Single Phase	3 Phase	Mounting Heights	Effective Area Covered approx	Size in mm Lx W x D
INT-heatRAY - 4.5 - 3ph	4.5	6.5		✓	4-6 m	7 m diameter circle at 6m height	745 x 430 x 70
INT-heatRAY - 3.9 - 3ph	3.9	6		✓	4-6 m	7 m diameter circle at 5m height	745 x 430 x 70
INT-heatRAY - 3 - 3ph	3	4.2		✓	4-6 m	6 m diameter circle at 4m height	745 x 430 x 70
INT-heatRAY - 3 - 1ph	3	12.5	✓		4-6 m	6 m diameter circle at 4m height	745 x 430 x 70